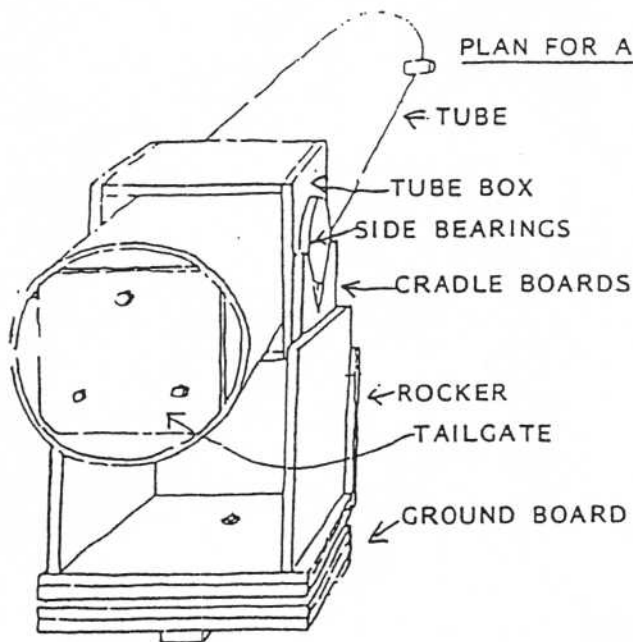


PLAN FOR A DOBSONIAN TELESCOPE WITH A 10" MIRROR



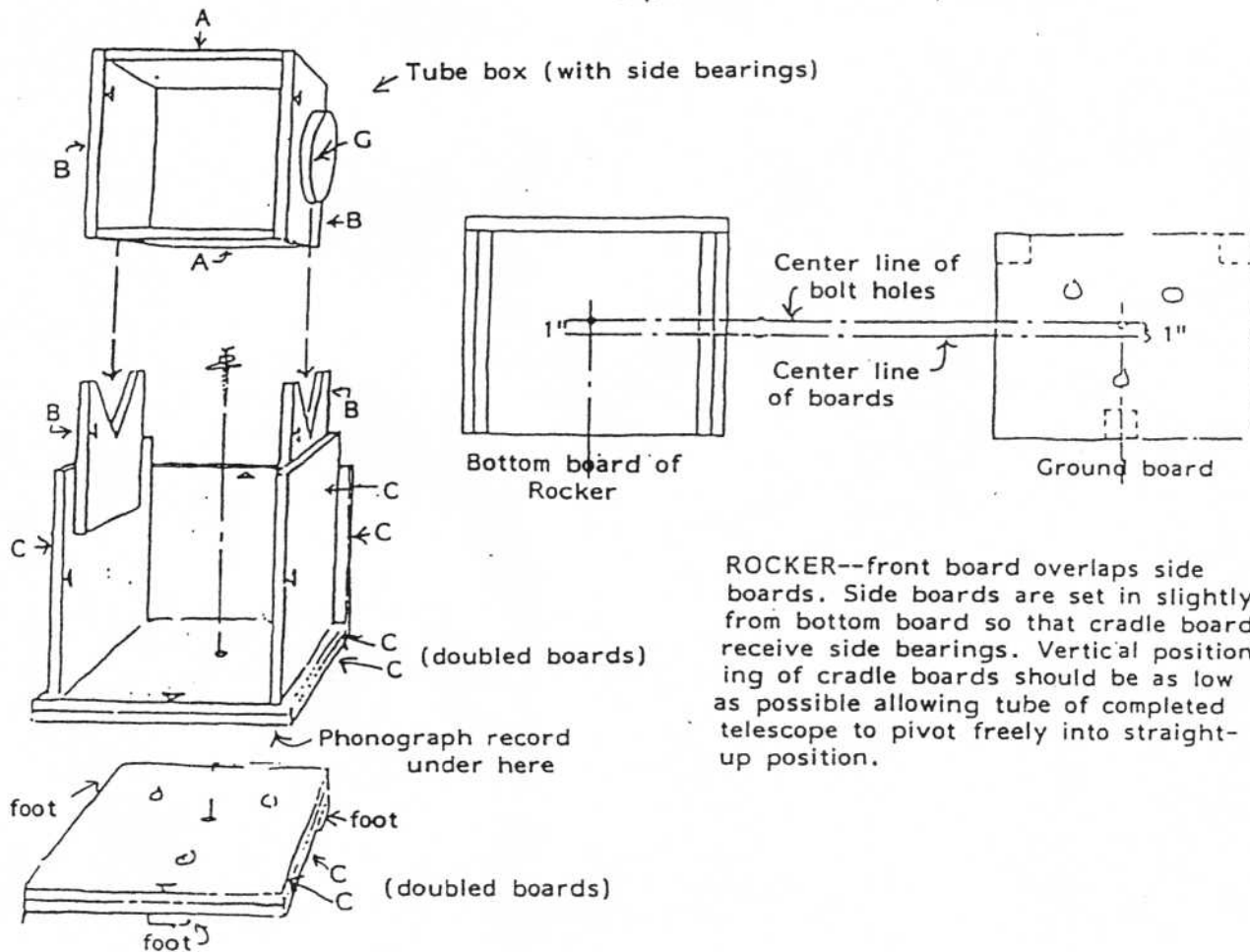
COMPLETED TELESCOPE

3/4" thick plywood--cut to these sizes:

- PART A (2 pieces) 12½" x 12½"
- PART B (4 pieces) 12½" x 14"
- PART C (7 pieces) 15 ¾" x 18"
- PART D (3 pieces) 2" x 2" (feet)
- PART E (1 piece) 10" x 10" (tailgate)
- PART F (4 pieces) 1" x 4" (not shown)
- PART G (2 pieces) 6" diameter circles

EXPLODED VIEW OF PLYWOOD PARTS

Capital letters refer to parts listed above.



ROCKER--front board overlaps side boards. Side boards are set in slightly from bottom board so that cradle boards receive side bearings. Vertical positioning of cradle boards should be as low as possible allowing tube of completed telescope to pivot freely into straight-up position.